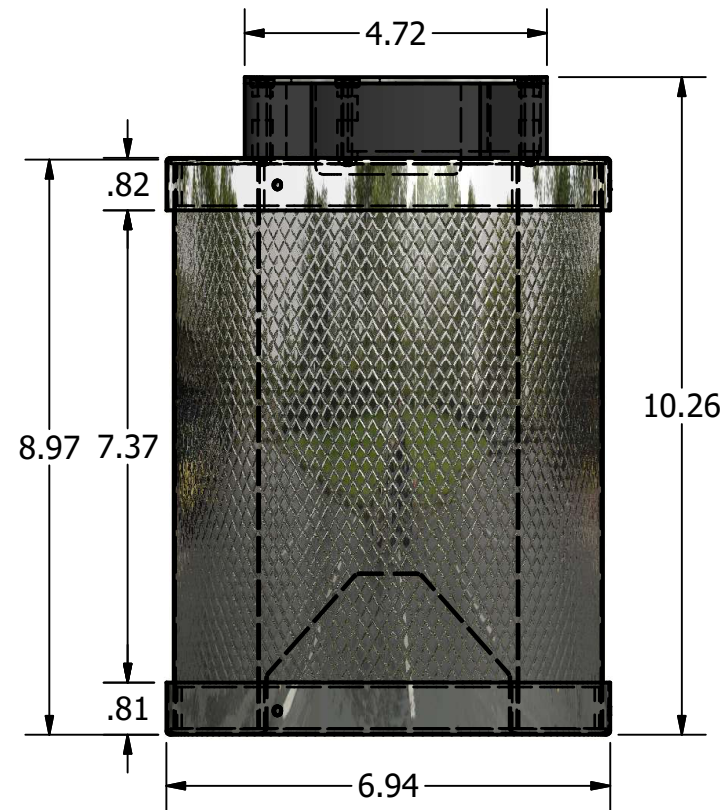
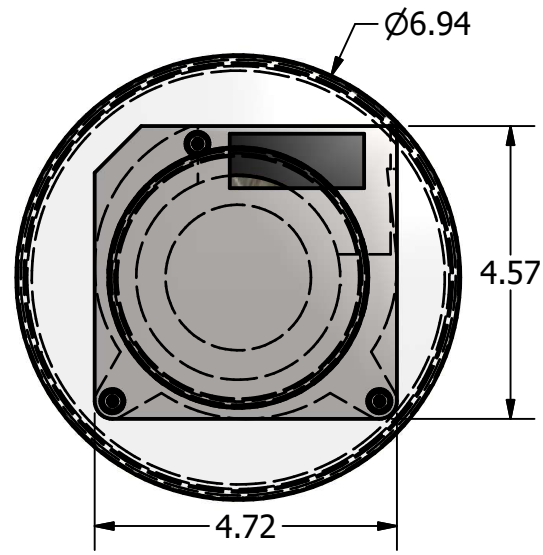
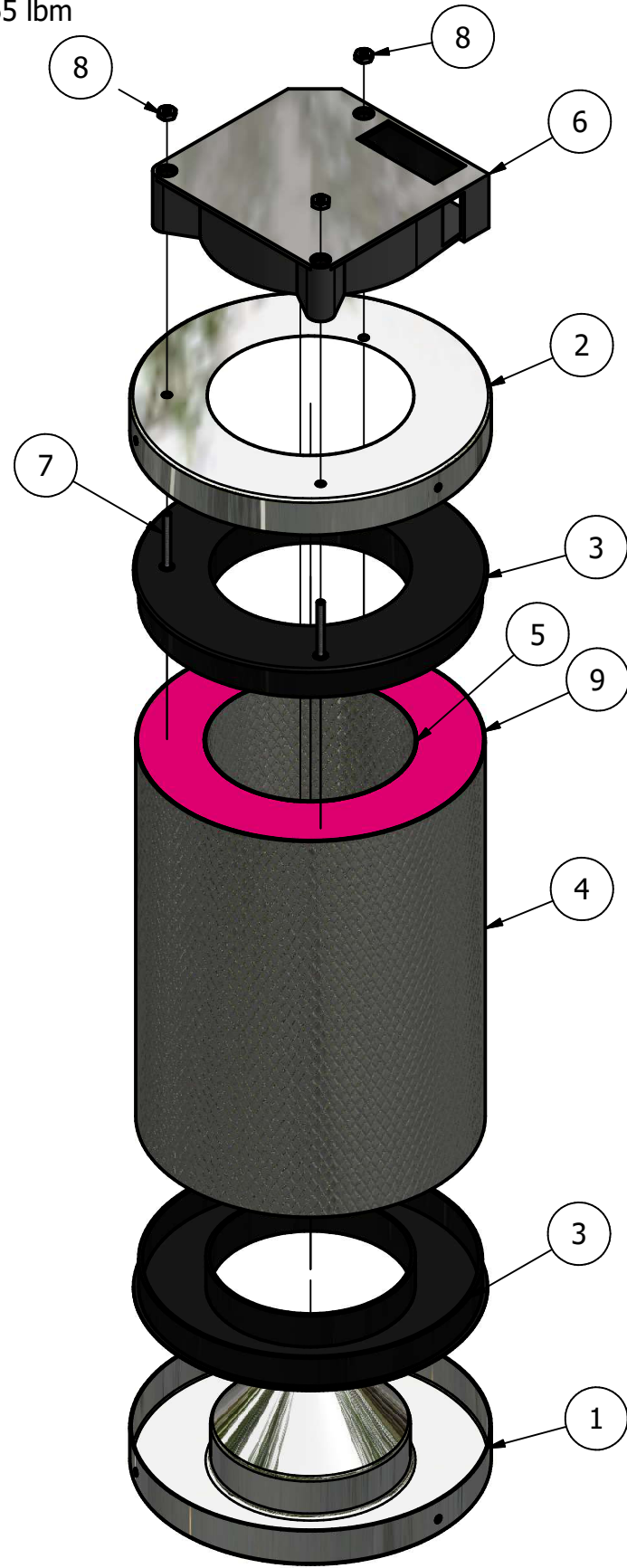


WEIGHT 9.665 lbm



REVISION HISTORY				
ZONE	REV	DESCRIPTION	DATE	APPROVED
	1	INITIAL	7/27/2022	CLR



PARTS LIST			
ITEM	QTY	PART NUMBER	DESCRIPTION
1	1	R400-07-130	Vivosun 4x14 filter - Bottom
2	1	R400-07-131	Vivosun 4x14 filter - Top
3	2	R400-07-132	Vivosun 4x14 filter - Plastic Cap
4	1	R400-07-134	Vivosun 4x14 filter - Outer Screen
5	1	R400-07-135	Vivosun 4x14 filter - Inner Screen
6	1	R400-07-039	Papst-Lufter RL90-18/24 Blower Fan
7	3	R400-07-140	No. 6 - 32 - 1 1/4 Cross Recessed Pan Head Machine Screw
8	3	R400-07-141	Hex Machine Screw Nut, ANSI B18.6.3 - 6 - 32
9	1		CO2 Absorbent

DRAWN CLR	7/27/2022	Redus Engineering		
CHECKED CLR	7/27/2022			
QA		TITLE		
MFG CLR	7/27/2022	Vivosun 4x14 filter and Fan Assembly		
APPROVED CLR	7/27/2022	SIZE B	DWG NO R400-D01-032	REV 1
		SCALE	SHEET 1 OF 1	