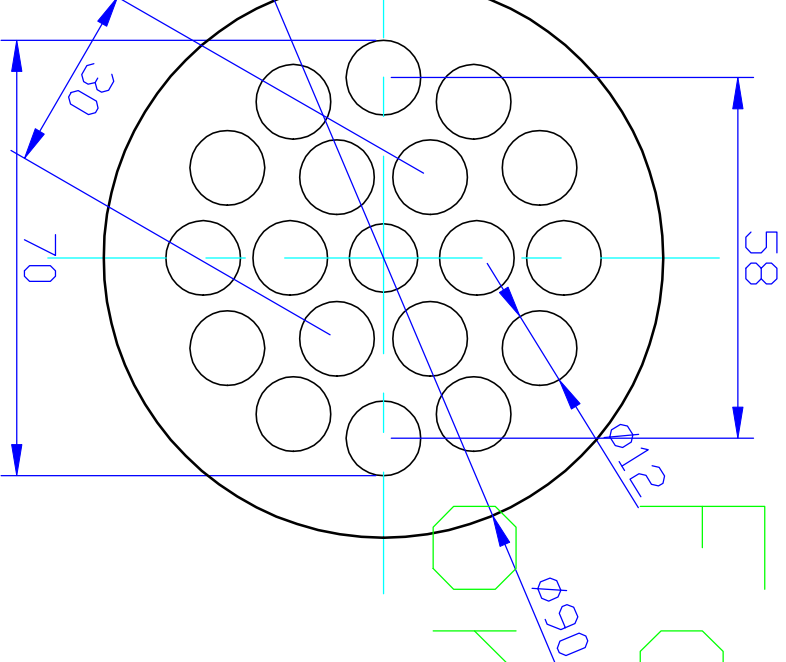
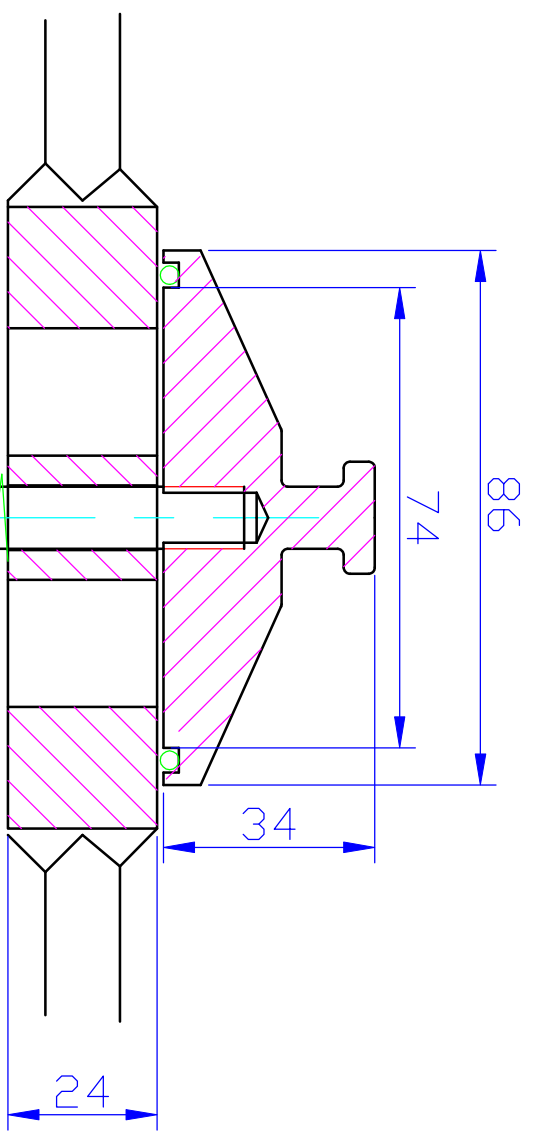


- 1x bolt M10x60
- 1x O-ring 74x3
- 1x spring 14x1,5



FOR THE FORMER

ONLY

Water jet or laser cut

