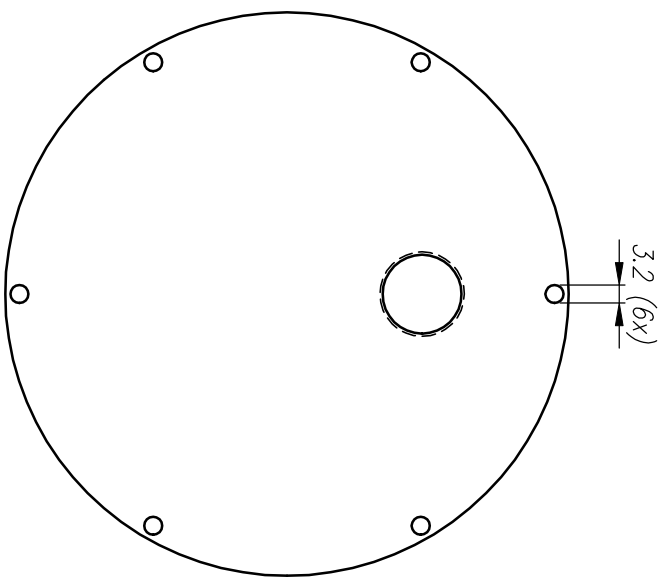
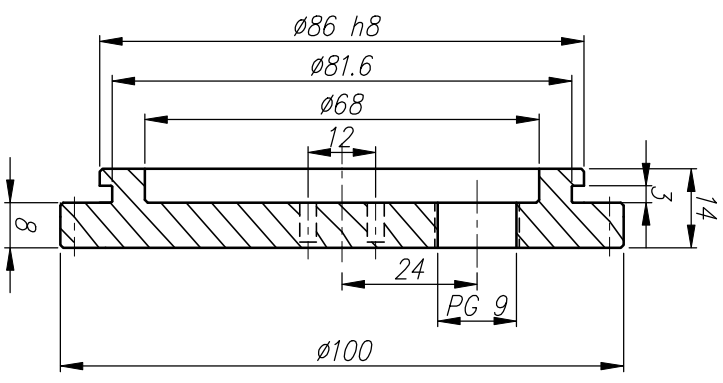
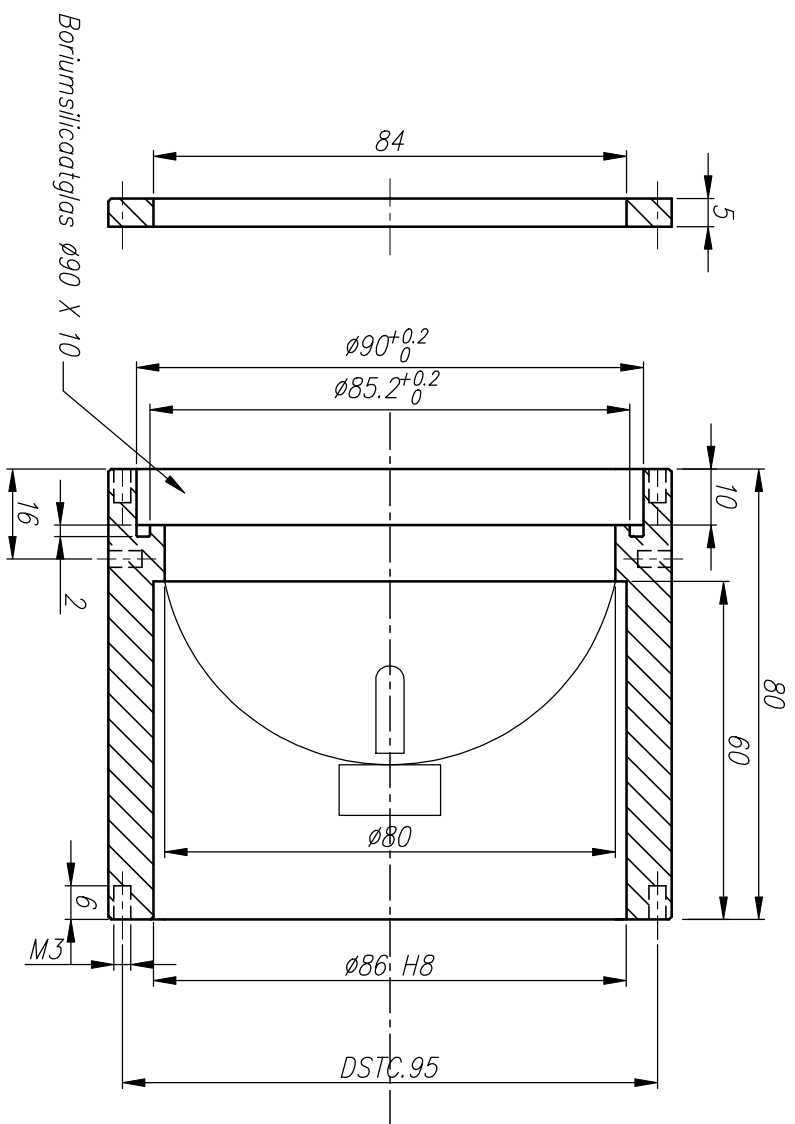


Lamp 35-100 Watt
 material Al. 51 st.
 30 mu anodised.
 general tol. 0.2 mm
 For information only !



O-ring: front $\varnothing 85 \times 2,4$
 back $\varnothing 80 \times 2,5$